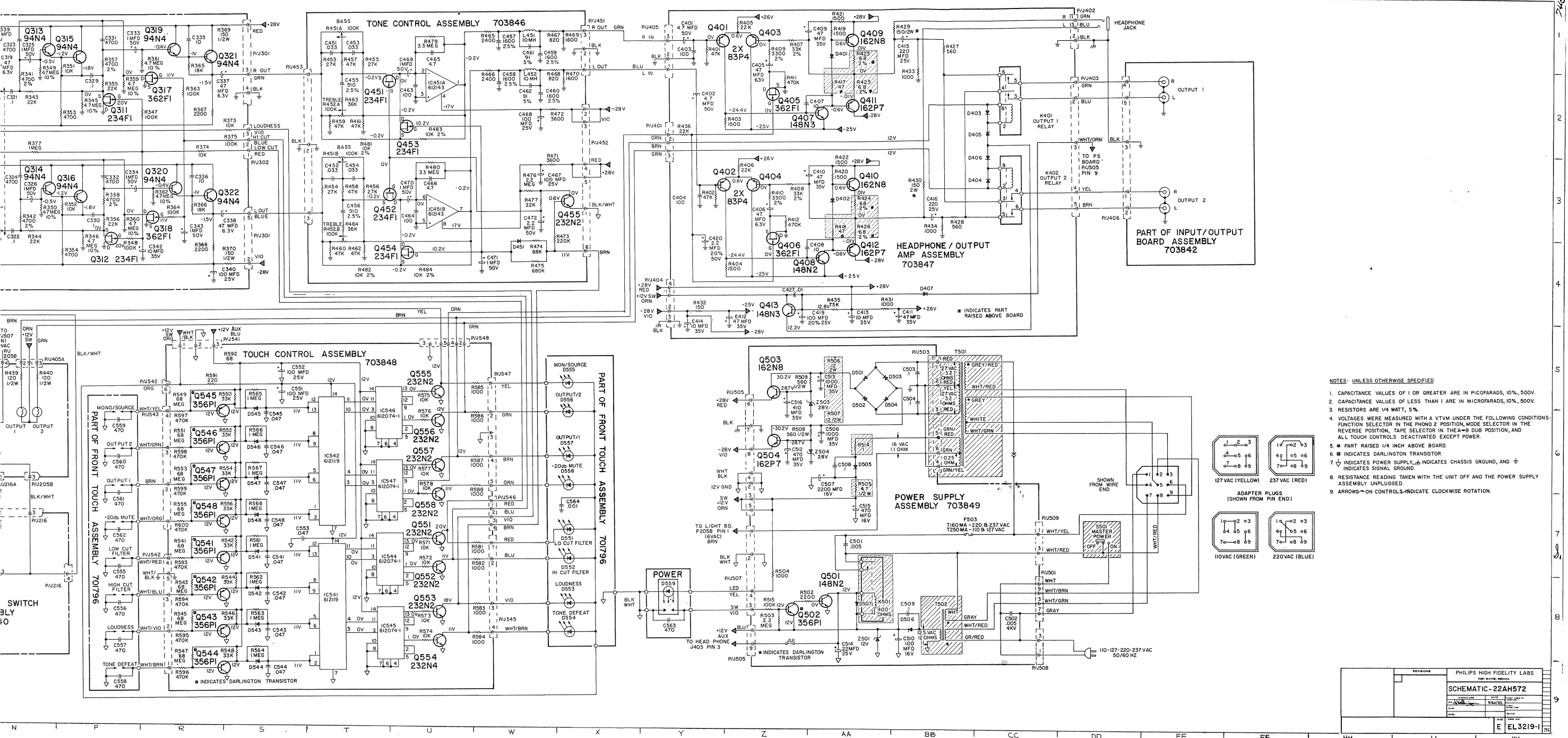
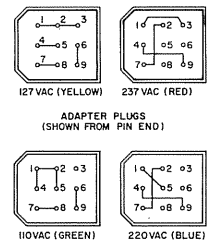


N P R S T U W X Y Z AA BB CC DD EE FF HH JJ KK



- NOTES - UNLESS OTHERWISE SPECIFIED
1. CAPACITANCE VALUES OF 1 OR GREATER ARE IN PICOFARADS, 10%, 500V.
 2. CAPACITANCE VALUES OF LESS THAN 1 ARE IN MICROFARADS, 10%, 500V.
 3. RESISTORS ARE 1/4 WATT, 5%.
 4. VOLTAGES WERE MEASURED WITH A VTVM UNDER THE FOLLOWING CONDITIONS: FUNCTION SELECTOR IN THE PHONO 2 POSITION, MODE SELECTOR IN THE REVERSE POSITION, TAPE SELECTOR IN THE A=B POSITION, AND ALL TOUCH CONTROLS DEACTIVATED EXCEPT POWER.
 5. * PART RAISED 1/4 INCH ABOVE BOARD.
 6. ■ INDICATES DARLINGTON TRANSISTOR.
 7. ∇ INDICATES POWER SUPPLY, ⊕ INDICATES CHASSIS GROUND, AND ⊕ INDICATES SIGNAL GROUND.
 8. RESISTANCE READING TAKEN WITH THE UNIT OFF AND THE POWER SUPPLY ASSEMBLY UNPLUGGED.
 9. ARROWS ON CONTROLS INDICATE CLOCKWISE ROTATION.



PHILIPS HIGH FIDELITY LABS			
SCHEMATIC-22AH572			
DATE	BY	CHKD	APP'D
E EL3219-1			